

Glydea™ Range

E X P A N D I N G H O R I Z O N S



Motorisation solution for curtains

HOME MOTION by
somfy®

CONTENTS

Glydea™, your guarantee of added value in a demanding market	p. 4
Glydea™, the difference is in the detail	p. 6
Glydea™, everywhere flexibility is the rule	p. 8
Technical specification	p. 10

GLYDEA™ SALES AND DISTRIBUTION

Somfy Pty Limited has a partnership arrangement with the following companies for the assembly and distribution of the made to measure Glydea™ Curtain Track System. For any sales enquiries please contact your Somfy Account Manager or the Glydea Assembler convenient to you.

Glydea Assembler	Location	Phone
Living Shade	NSW	+61 2 9477 6955
Unique Screens	Victoria	+61 3 9464 4464
The Kingtrack Group	Queensland	+61 7 5527 2922
2Tandem	Western Australia	+61 488 200 174
New Zealand Window Shades	New Zealand	+64 9 574 2200



Glydea™ broadens your horizons



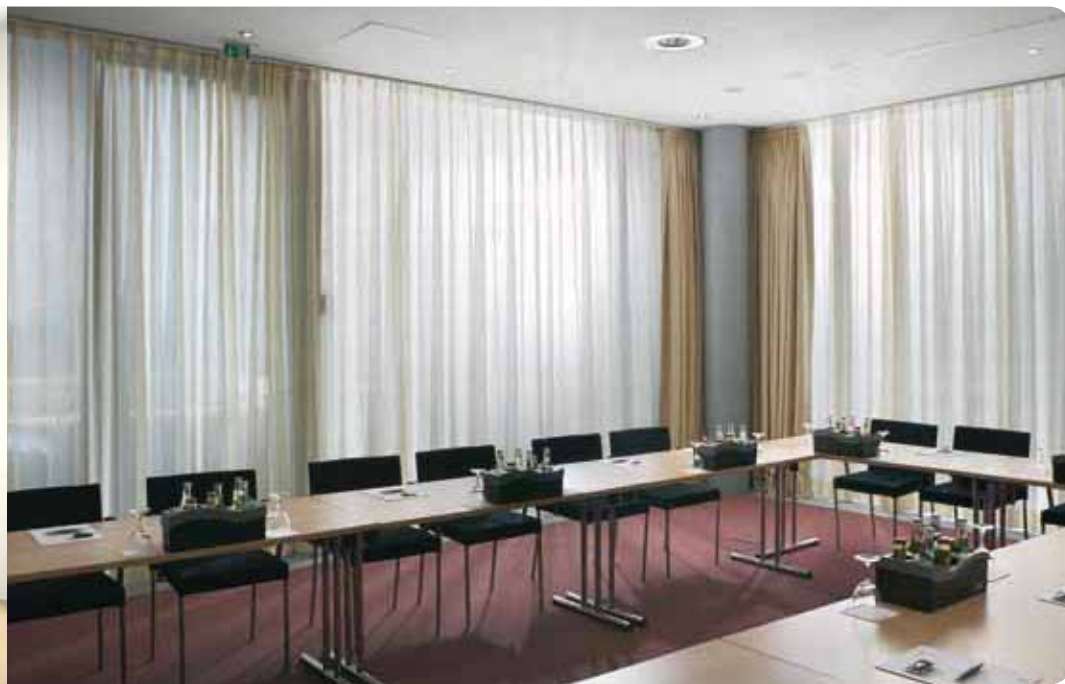
Glydea™ curtain motorisation solutions meet the requirements of the most prestigious projects. Motorised curtains are becoming the standard requirement for high end homes, luxury apartments and top of the range projects such as high quality hotels, meeting and conference venues. Glydea™ is quiet, discreet, flexible and robust, offering personalised solutions to serve your imagination and broaden your horizons.

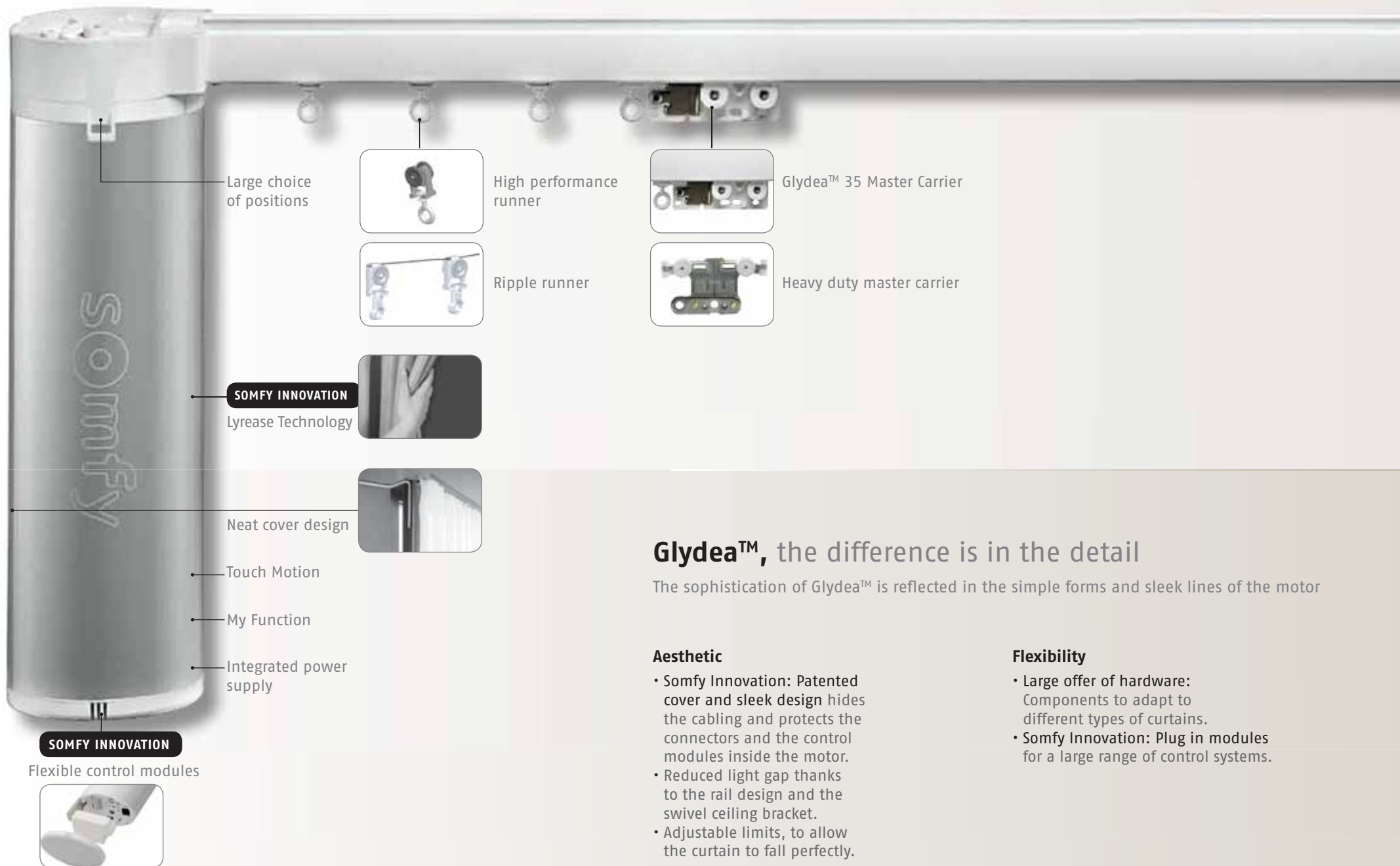
Glydea™, your guarantee of added value in a demanding market

With Glydea™ motorisation solutions, make your venue stand out in terms of image, usage and functionality.

- Glydea™ "Touch Motion" – perfect for every situation.
- Maximise energy efficiency by integrating Somfy sensors and controls for a fully automated solution.
- Glydea™ extends the lifespan of your curtains, avoiding the damage caused by cords and manual operation.
- Glydea™ provides the level of comfort and reliability expected in luxury locations.
- Glydea™ improves the image of a venue and makes the job of service personnel easier.







Glydea™, the difference is in the detail

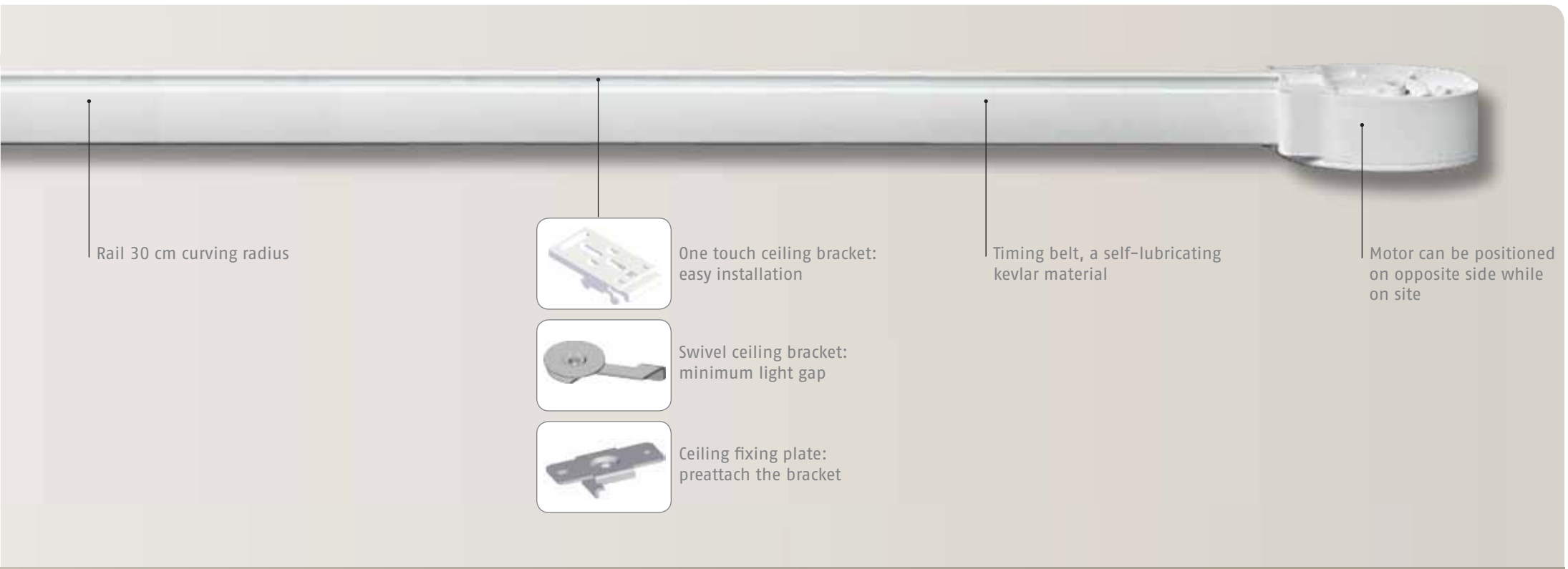
The sophistication of Glydea™ is reflected in the simple forms and sleek lines of the motor

Aesthetic

- Somfy Innovation: Patented cover and sleek design hides the cabling and protects the connectors and the control modules inside the motor.
- Reduced light gap thanks to the rail design and the swivel ceiling bracket.
- Adjustable limits, to allow the curtain to fall perfectly.

Flexibility

- Large offer of hardware: Components to adapt to different types of curtains.
- Somfy Innovation: Plug in modules for a large range of control systems.



Rail 30 cm curving radius



One touch ceiling bracket:
easy installation



Swivel ceiling bracket:
minimum light gap



Ceiling fixing plate:
preattach the bracket

Timing belt, a self-lubricating
kevlar material

Motor can be positioned
on opposite side while
on site

Quiet

- Low noise level of the Motorised track (<44 dB(A)), thanks to the motor design and the use of a timing belt.
- Soft start and soft stop.

Efficiency

- Touch Motion feature, to open and close the curtain simply by pulling on the fabric.
- "My" function, to automatically move the curtain to a preferred position.
- Adjustable speed: 12.5 cm/s to 20 cm/s.

Robust Design

- Somfy Innovation: Lyrease mechanical system which automatically disengages the motor drive shaft for manual operation preserving the fabric.
- Setting buttons and cabling not accessible to the end user.
- No maintenance necessary after installation.

Glydea™, Somfy quality

Tested for 15 years of operation.
5 years international warranty.
International certifications.



*Glydea 60E DCT shown

Glydea™, everywhere flexibility is the rule

The flexibility of Glydea™ gives all the solutions to answer the most demanding projects.

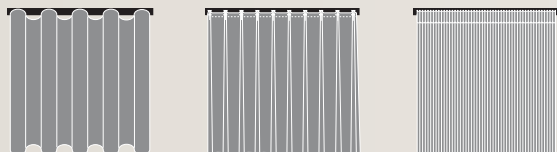
Adaptability

- A large range of solutions, with:
 - one rail
 - four types of motors
 - various control modules.
- The offers can be personalised thanks to a large range of options.

Universal



- Rail up to 12m long.
- Bending radius up to 30 cm.
- Customised curving and bending facilities available.
- Curtain weight up to 60 kg.
- Large range of accessories to adapt to different types of curtains.



Large offer for all curtain types and shapes

		ONE WAY OPENING 	CENTRE OPENING 	OTHER TRACK SHAPES   
Glydea™ 35 		● 35 kg / 10 m	● 35 kg / 10 m	
Glydea™ 60e 		● 60 kg / 10 m	● 60 kg / 10 m	

Large choice of control systems



Standard compatibilities

- Dry contact or AC switching relays.
- AC switches and control systems.
- Double or triple push button switches.
- Somfy or universal infrared transmitters.



Glydea™ can be equipped with plug in modules to interface with additional control technologies

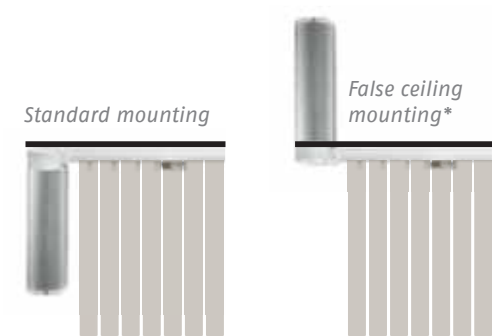
RTS receiver,
compatibility with all the Somfy RTS controls.



RS485 module,
to interface with two-way home automation communication systems (available 2012).

Easy installation

- From plug and play to more advanced solutions.
- The motor can also be hidden in false ceilings.
- Motor position (left or right) can be changed on site.
- Automatic or adjustable limit setting.
- One touch or swivel ceiling bracket.
- Integrated 24V power supply.



*Available 2012

Technical specifications

Features overview

	Glydea™ 35 DCT	Glydea™ 35 WT	Glydea™ 60e DCT	Glydea™ 60e WT
Motor unit main features				
Soft start	•	•	•	•
Soft stop			•	•
Intermediate position			•	
Manual operation	•	•	•	•
Touch motion			•	
Automatic limits on end stop	•	•	•	•
Back release	•	•		•
Adjustable limits			•	
Speed control & adjustment			•	•
Control options				
AC switching		•		•
3 N/O dry contacts	•		•	
2 N/O dry contacts	•		•	
2 N/O dry contact sequencing mode	•		•	
Dry contact individual and group & master control	•		•	
Infrared	•		•	
RS485 digital technology (2012)	•		•	
Radio Technology SOMFY	•	•*	•	•*
Sun control	•		•	
Timer control	•	•	•	•
Installation and settings features				
Setting with buttons on motor unit			•	•
Setting with external 3 N/O dry contact switch	•	•	•	•
LED indicators			•	•
Motor unit direction change	•	•	•	•
Factory reset	•	•	•	•
Upside down mounting (2012)	•	•	•	•
Tracks / Curtain types				
One Way Opening	•	•	•	•
Centre Opening	•	•	•	•
Asymmetric	•	•	•	•
Multiple	•	•	•	•
Classic (Pinch pleat)	•	•	•	•
Ripple drape with overlap arm	•	•	•	•
Ripple drape with butt arm	•	•	•	•

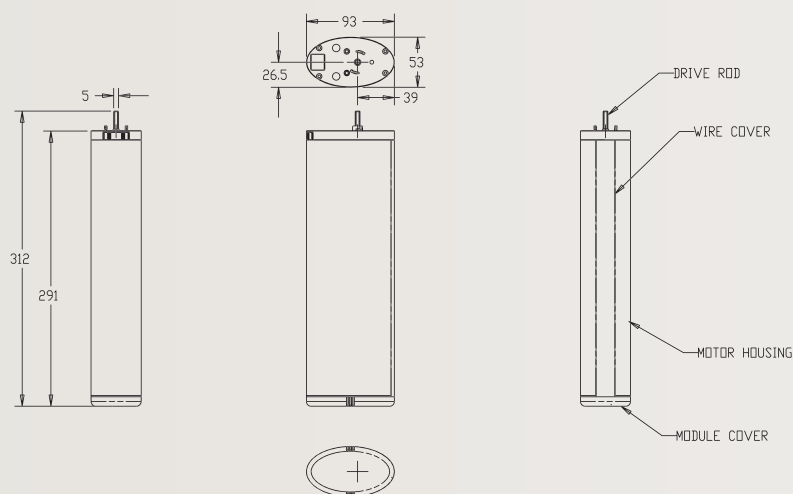
Motorised track main characteristics

	Glydea™ 35 DCT	Glydea™ 35 WT	Glydea™ 60e DCT	Glydea™ 60e WT
Power supply	90 V to 250 V 50/60 HZ			
Average linear speed	20 cm/s		12.5 / 15 / 17 / 20 cm/s	
Power consumption	60 W		120 W	
Power cable type	3-wire cable	4-wire cable	3-wire cable	4-wire cable
Control connector type	RJ12		RJ12	
DCT Control circuit voltage	3.3 VDC		3.3 VDC	
Motorised track noise level ⁽¹⁾	50 dB(A)		44 dB(A) ⁽²⁾	
Track maximum length	12 m			
Maximum number of joins	2			
Minimum bending radius	300 mm			
Minimum curving radius	3000 mm			

⁽¹⁾ Sound pressure level according to Somfy measurement standard.

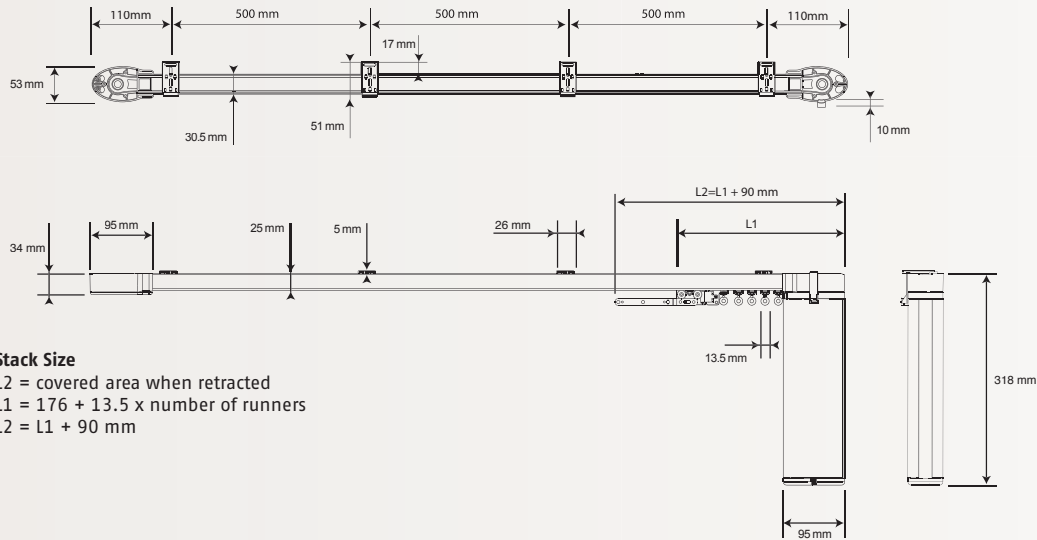
⁽²⁾ At 15 cm/s.

Motor dimensions



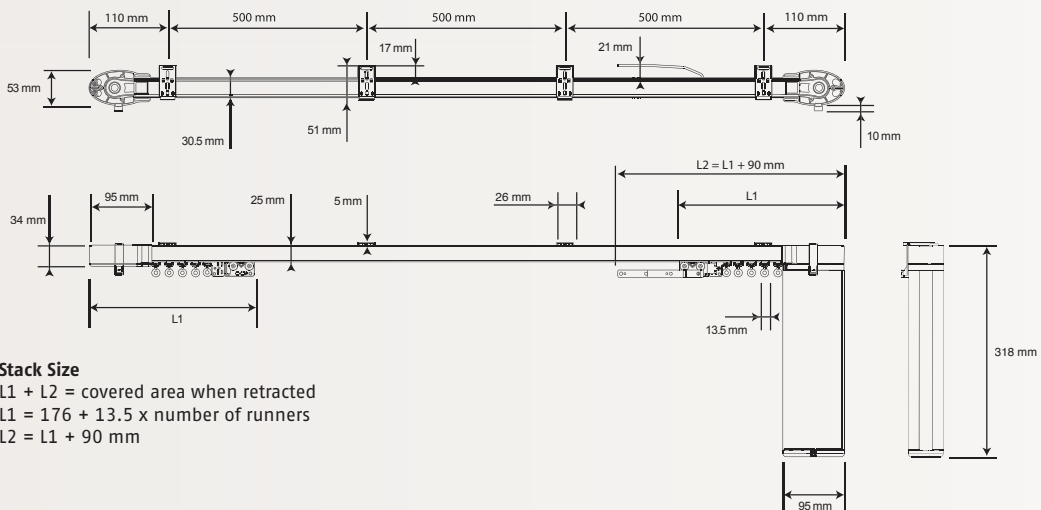
1 RAIL AND MOTOR: GLYDEA™ 35 CLASSIC

One Way Opening equipped with flexible master carrier



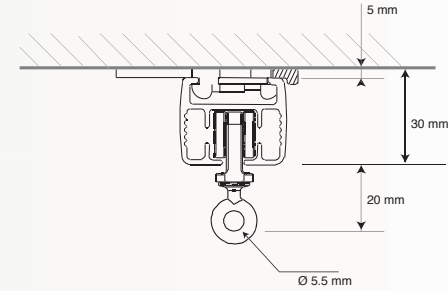
Stack Size
 L2 = covered area when retracted
 L1 = 176 + 13.5 x number of runners
 L2 = L1 + 90 mm

Two Way Centre Opening equipped with flexible master carrier

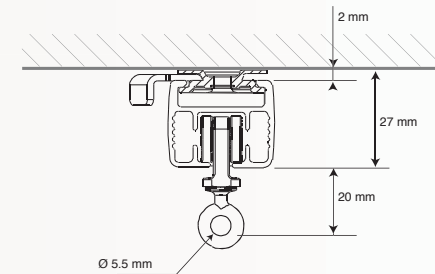


Stack Size
 L1 + L2 = covered area when retracted
 L1 = 176 + 13.5 x number of runners
 L2 = L1 + 90 mm

One touch ceiling bracket

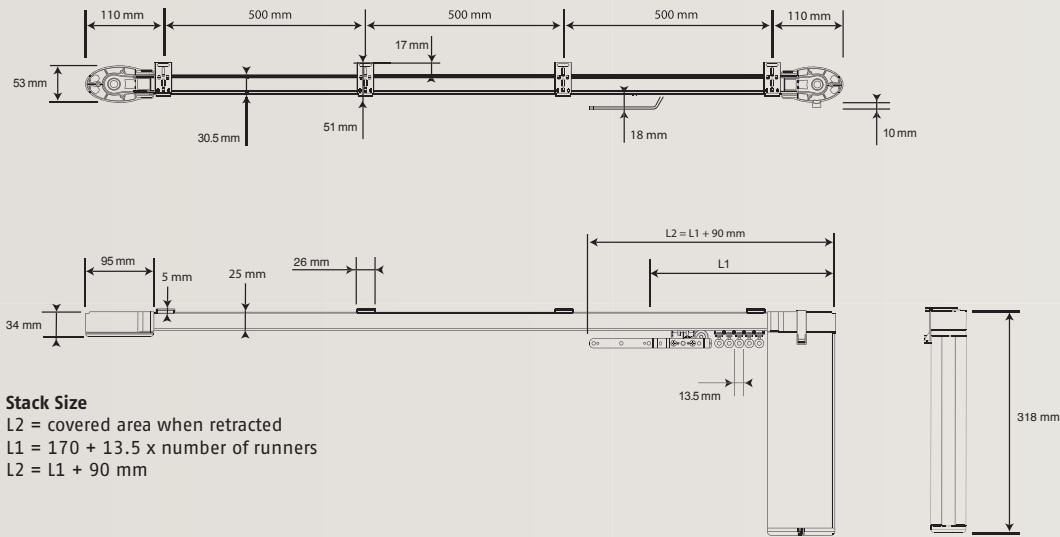


Swivel ceiling bracket



2 RAIL AND MOTOR: GLYDE™ 60E CLASSIC

One Way Opening equipped with heavy duty master carrier



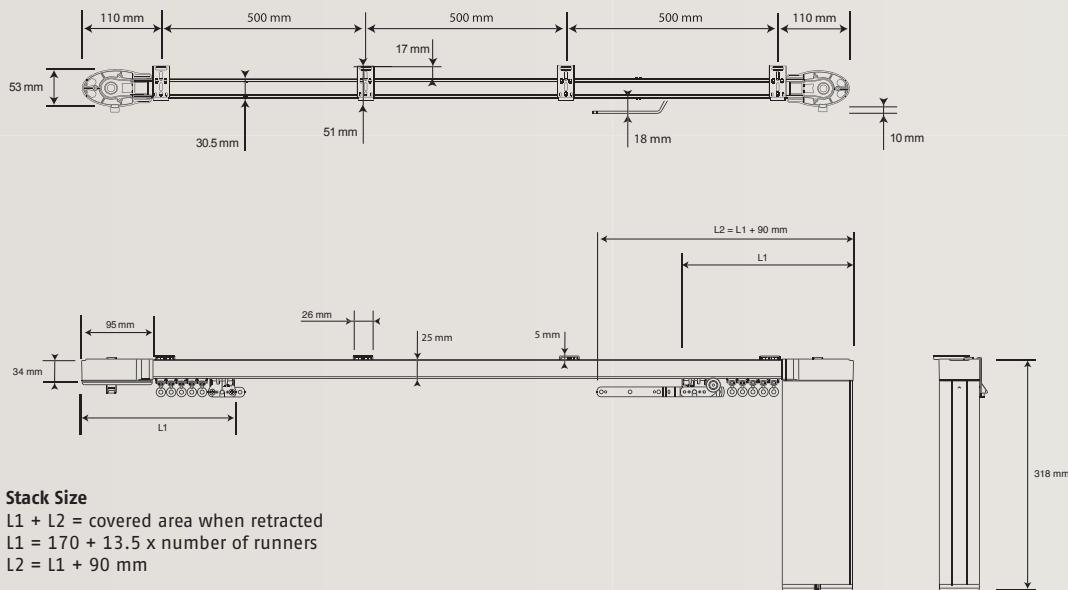
Stack Size

L2 = covered area when retracted

L1 = 170 + 13.5 x number of runners

L2 = L1 + 90 mm

Two Way Centre Opening equipped with heavy duty master carrier



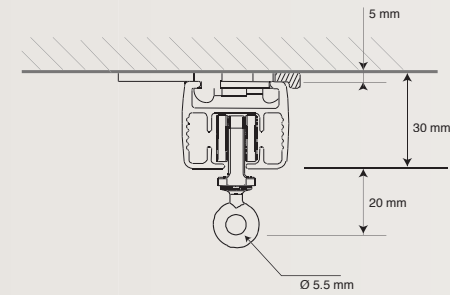
Stack Size

L1 + L2 = covered area when retracted

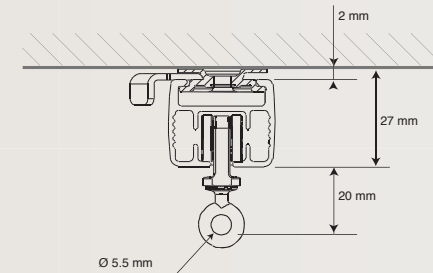
L1 = 170 + 13.5 x number of runners

L2 = L1 + 90 mm

One touch ceiling bracket

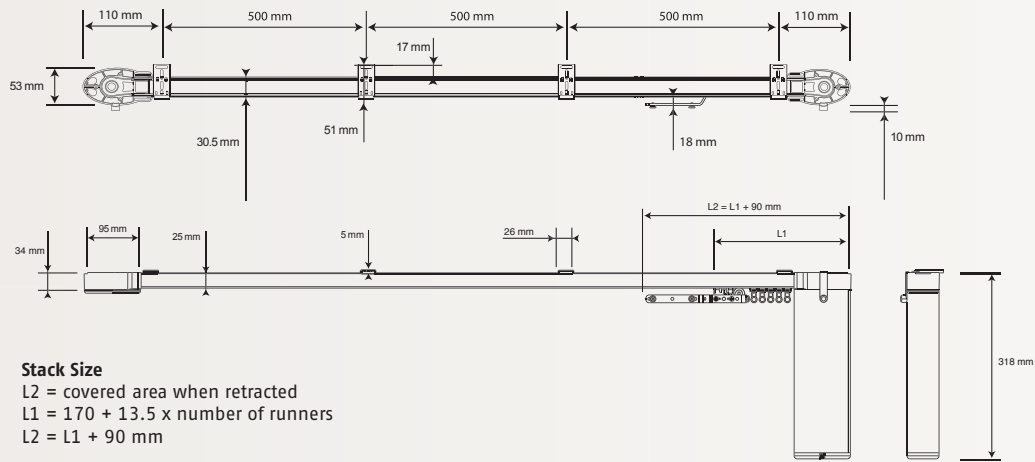


Swivel ceiling bracket



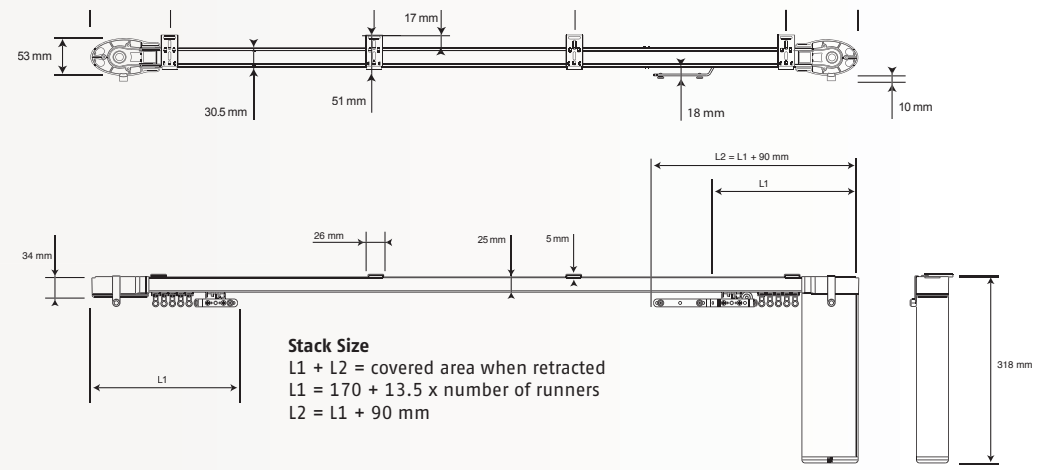
3 RAIL AND MOTOR FOR "RIPPLE" CURTAIN

One Way Opening



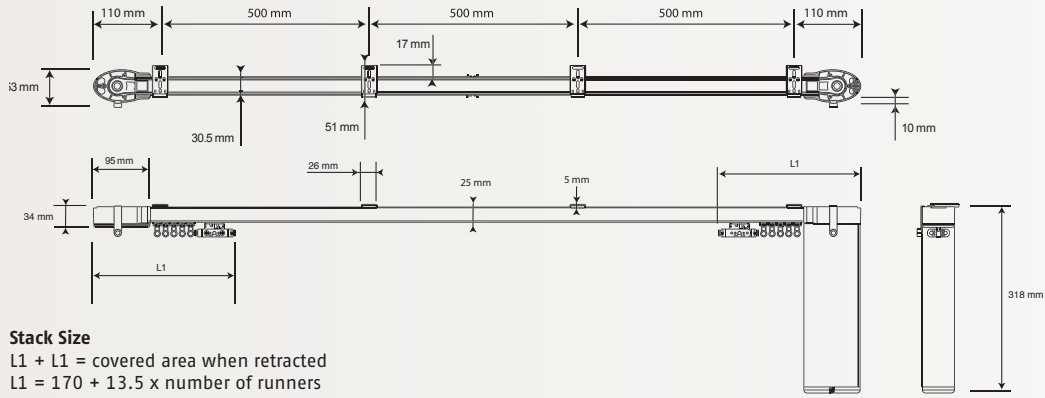
Stack Size
 $L2 = \text{covered area when retracted}$
 $L1 = 170 + 13.5 \times \text{number of runners}$
 $L2 = L1 + 90 \text{ mm}$

Two Way Centre Opening



Stack Size
 $L1 + L2 = \text{covered area when retracted}$
 $L1 = 170 + 13.5 \times \text{number of runners}$
 $L2 = L1 + 90 \text{ mm}$

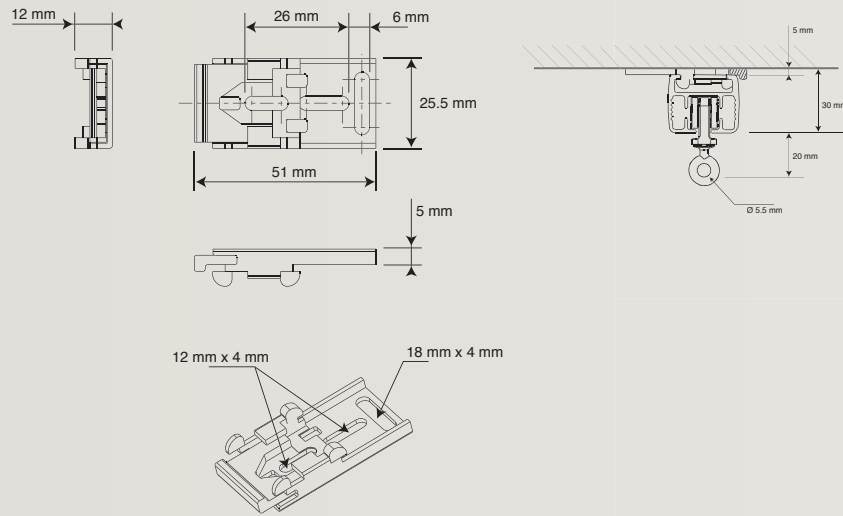
Two Way Centre Opening with buttarms



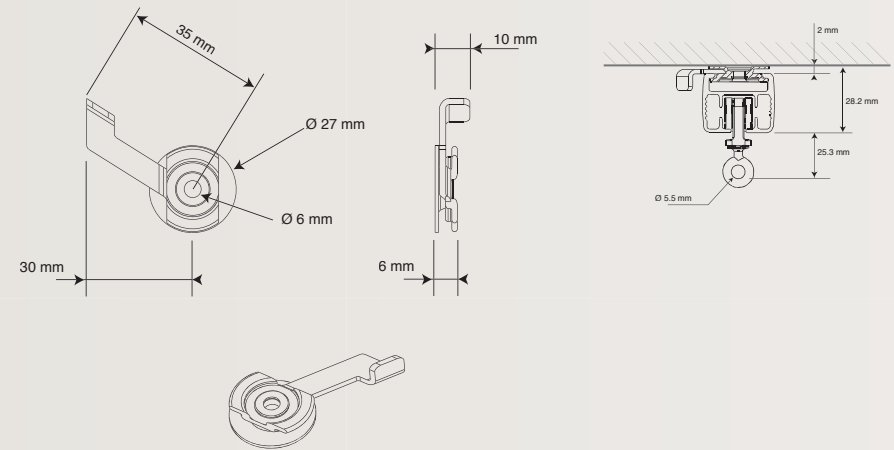
Stack Size
 $L1 + L1 = \text{covered area when retracted}$
 $L1 = 170 + 13.5 \times \text{number of runners}$

4 BRACKETS TYPES AND DIMENSIONS

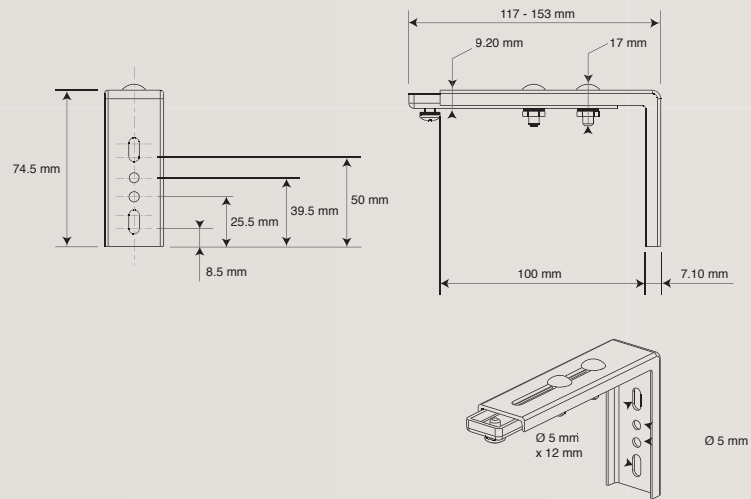
One touch ceiling bracket



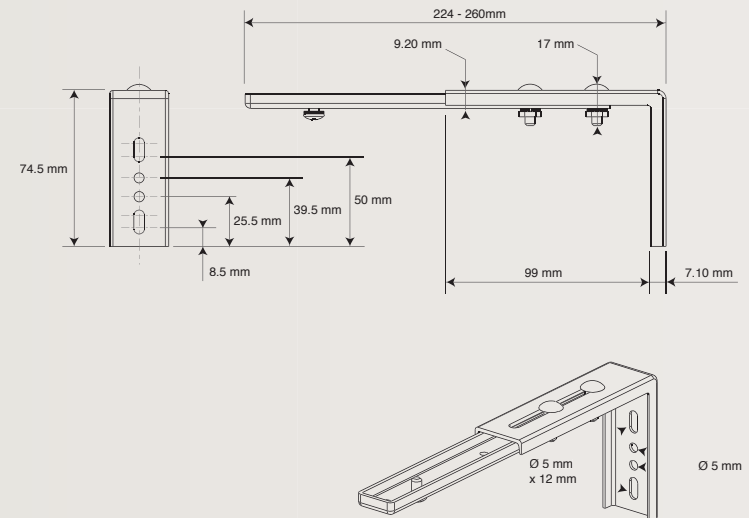
Swivel ceiling bracket




Adjustable wall mount bracket




Double adjustable wall mount bracket





Glydea™ Motor Range


Motors	
	Glydea™ 35 DCT: Dry contact with optional control modules, 3 wire 1.5M cable
	Glydea™ 35 WT: AC switch control with optional control modules, 4 wire 1.5M cable
	Glydea™ 60e DCT: Dry contact with optional control modules, 3 wire 1.5M cable
	Glydea™ 60e WT: AC switch control with optional control modules, 4 wire 1.5M cable


Glydea™ Bracket Range

Swivel ceiling bracket	
	To minimise the light gap (max 2mm)
	Swivel lock arm
	2.5 bracket per metre
	Steel zinc plated

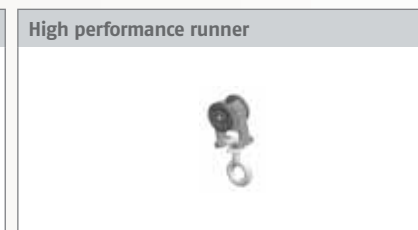
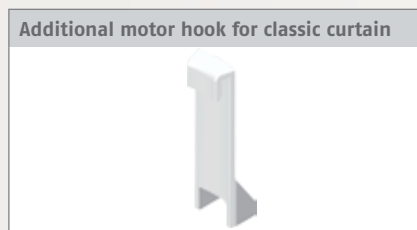
Adjustable wall bracket	
	Used with swivel or one touch ceiling bracket
	Adjustable length
	2.5 bracket per metre
	Steel, white colour

Ceiling fixing plate	
	Direct mounting
	Locks into track
	2.5 bracket per metre
	Steel, white colour

One touch ceiling bracket	
	For an easy installation
	Two step clip process
	2.5 bracket per metre
	Steel, white colour

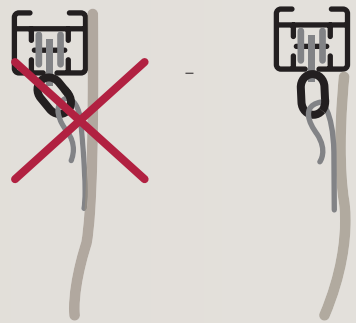
Double adjustable wall bracket	
	Used with swivel or one touch ceiling bracket
	Adjustable length
	2.5 bracket per metre
	Steel, white colour

Glydea™ Optional Hardware



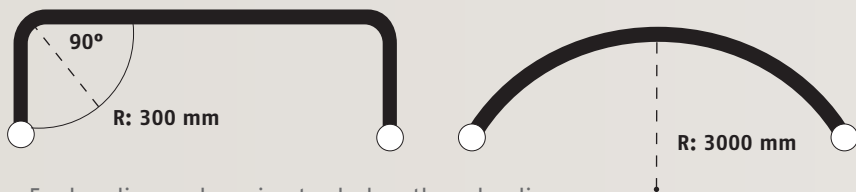
Motor load capacity according to track opening, shape, length

- In the charts below we give the maximum weight of the curtain in kg, which can be motorised by the different Glydea™ versions according to the different track configurations, and the length of the track.
- When calculating the weight of the curtain the fullness ratio of the curtain has to be taken into account:
 $\text{Weight of the curtain} = \text{fabric weight/m}^2 \times \text{Curtain covered area} \times \text{fullness ratio}$
- The traversing capacity is given for an installation with no extra friction created by the fabric curtain touching the rail or the track pelmet.



- Maximum weight per runner: 1.5 kg.
- Maximum distance between runners: 10 cm.

Track bending and curving minimum radius



- For bending and curving tracks length and radius limitation please refer to the specific data sheet.

Traversing capacity for "Classic" and "Ripplefold" curtain

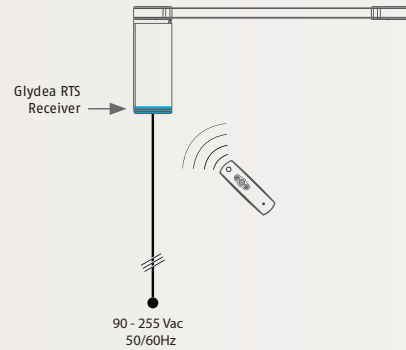
Track type	Glydea™ 35			Glydea™ 60e		
	3m	6m	10m	6m	10m	12m
A	35	35	35	60	60	55
B	35	35	35	60	60	55
C	35	25	20	45	45	35
D	35	25	20	45	45	35
E	15	10		35	25	
F	15	10		35	25	
G	35	15		35	25	8 m
H	15	10		30	20	8 m

All information subject to change without prior notice.

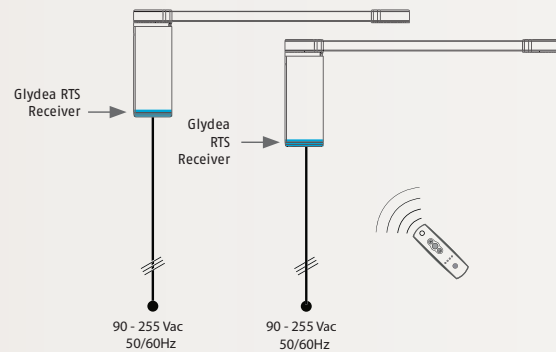
Glydea™ Control Options

1 GLYDEA™ RTS RADIO CONTROL

**Individual control with Telis transmitter and/or wall switch
(Glydea™ DCT motor + RTS receiver)**



**Group and individual control with Telis transmitter
(Glydea™ DCT motors + RTS receiver)**



RTS Receiver Glydea™



Plug-in RTS receiver

Compatible with Glydea™ 35 DCT/WT and Glydea™ 60e DCT/WT

Telis 1 RTS



One channel RTS transmitter

Pure

Patio

Silver

Lounge

Telis 4 RTS



Five channel RTS Transmitter

Pure

Patio

Silver

Lounge

Telis 6 Chronis



Six channel RTS timer

Pure

Silver

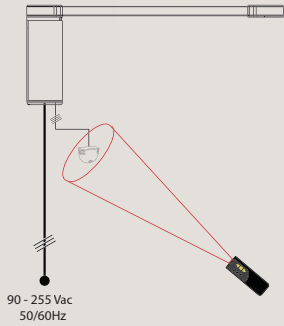
ThermoSunis Indoor WireFree™ RTS



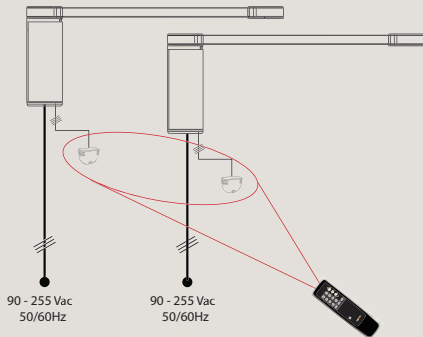
Indoor battery powered RTS sun sensor

2 GLYDEA™ DCT MOTORS WIRED AND INFRARED CONTROL

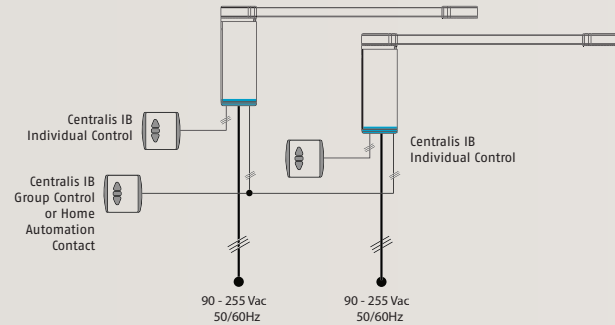
Infrared individual control with IR3 sensor and IR1



Infrared group control with IR3 sensor and IR8



DCT individual and/or group control with Centralis IB using Glydea™ DCT splitter



IR1



Infrared One Channel transmitter

IR8



Infrared Eight Channel transmitter

IR3 sensor



Infrared sensor, compatible with Somfy IR1,
IR8 and all Universal IR transmitters

To be used with RJ9/RJ12 adapter

DCT splitter Glydea



Unit equipped with 2×RJ12 ports, screw terminal block and diodes. Used for individual, group and master control with 2 Normally Open dry contact switches or IR sensors

Centralis IB



2 Normally Open Contact + Stop in parallel, to be
used for individual or group DCT control

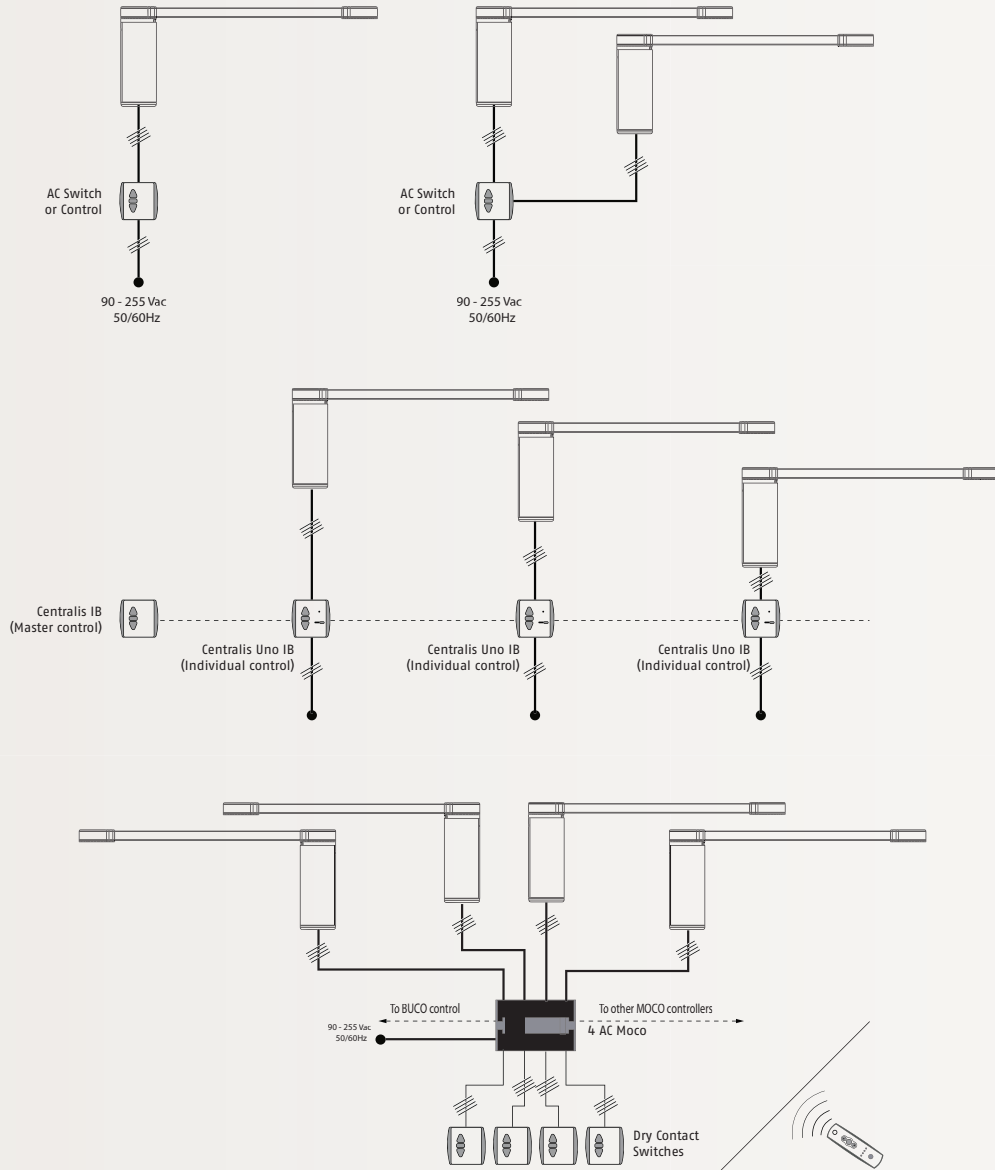
DCT setting tool





To program Glydea™ DCT motors. Can be used with DCT cable.


3 GLYDEA™ WT MOTOR WIRED CONTROL


Individual or group control with AC switch





Inis uno	
	Individual control maintained switch

Centralis uno IB	
	Individual AC control with master busline connection

Centralis IB	
	Dry contact switch for busline control

Chronis IB	
	Timer for master busline control

4AC Motor Controller	
	Individual control via local dry contact switches and master control by Animeo

RTS Card for 4AC Motor Controller	
	Allows radio control when using a 4AC Motor Controller

somfy.com.au
somfy.co.nz

Somfy Pty Limited
Australia
Toll Free 1800 0 76639
t: 02 8845 7200
f: 02 8845 7282
e: somfy.au@somfy.com

New Zealand
Toll Free 0800 2 76639
e: somfy.nz@somfy.com

somfy.