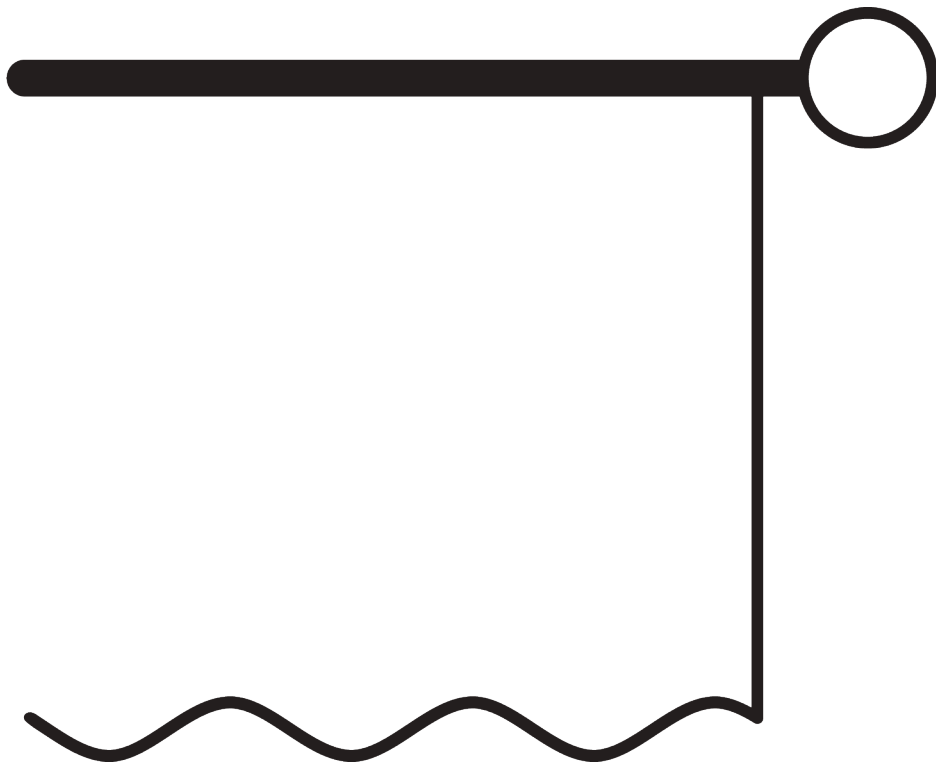


METROPOLE CURTAIN POLES



GENERAL NOTES

Dimensions

- Measurements are in mm except where indicated.
- Max. kg relates to fabric incl. accessories.
- Stack size depends on curtain make-up and fabric thickness.
- Distance between gliders max. 80 mm / distance between rollers max. 100 mm.
- Recommended distance floor / fabric: 20 mm.
- In order to determine system height (B), the smallest room height must be taken into account.

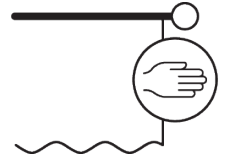
Fitting

- Installation by qualified fitter only.
- Number of brackets and fitting positions / fixing points vary depending on fitting surface, system weight, fabric make-up, screw / fixing type and obstacles.
- Qualified fitter must use appropriate screws / fixings for each situation.
- Profile lip if applicable to be installed to room side.

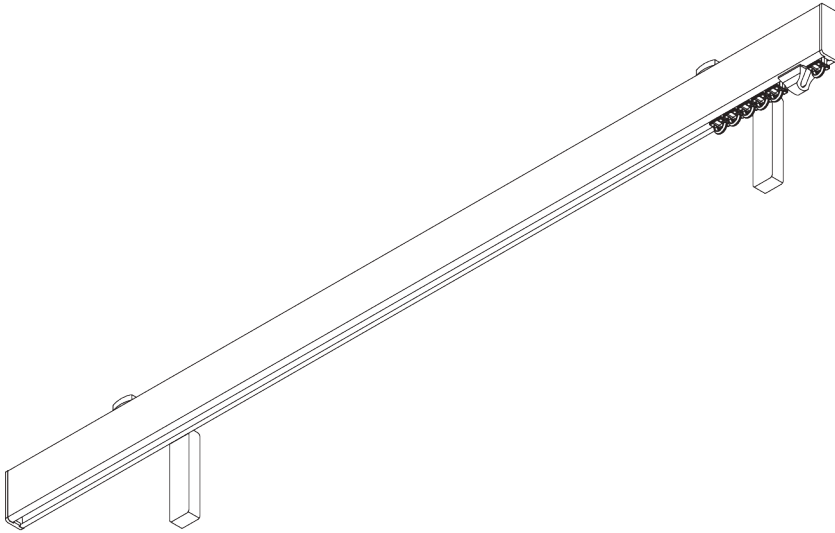
Child Safety

- All relevant Silent Gliss systems correspond to child safety EN 13120.
- All parties involved must comply with EN 13120.

SG 7605



Formerly SG6100 Metroflat



PRODUCT INFORMATION

- **Operation:** hand
- **Range:** S - M
- **Fitting:** ceiling, wall
- **Colours:** white RAL 9016, various colours / finishes
- **Fabrics:** refer to Silent Gliss fabric collection

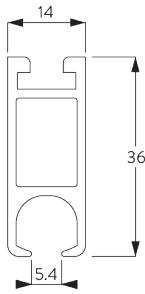
Features:

- 2-component (2C) glider technology
- Wave (2C)
- Matching endcaps and brackets / bracket covers
- Bendable

SYSTEM SPECIFICATIONS

A. PROFILE

Profile and bending information

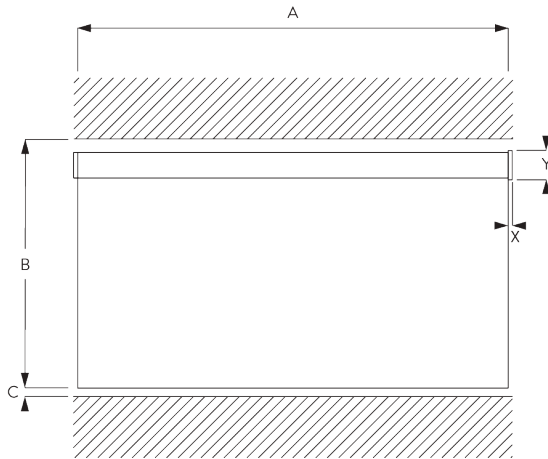


SG 6101

Profile

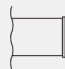
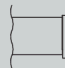
Radius:
20 cm, >25 cm

B. HOW TO MEASURE



A: System width without endcaps
B: System height
C: Distance between floor and fabric
X: Endcap width
Y: Endcap height

Endcap Measurements

		36 mm	
		X	Y
	SG 11601	2	36
	SG 11611	5	40

C. SPECIFICATION TEXT

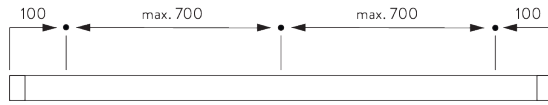
Silent Gliss SG 7605 'Metropole' hand operated curtain track system. Comprises 36mm h x 14 mm d aluminium profile SG 6100 supplied made to measure with 2C gliders SG 11300 at 16/m, 2 end flush covers SG 11601 and 2 no. end stops SG 6007. Straight poles supplied as standard with wall 'face' fix Smart Fix brackets SG 11206 at max. 600 mm centres. Optional wall fix brackets SG 11207-11208 / SG 11216-11218 / SG 11209 / SG 11472 / Fillet bracket SG 11669. Bent systems for wall 'face' fix supplied as standard with adjustable Smart Fix bracket SG 11209. Ceiling 'top' fix with plate SG 6151 / bracket SG 6175 / SG 11668 at max. 600 mm centres. Finished in Black, Charcoal, Matt White or Silver Anodised. A range of decorative finials are available. Silent Gliss Wave option is available using 60mm glider cord SG 11303/80 mm glider cord SG 11302 / 80 mm heavy duty roller glider cord SG 6099.

FITTING

A. FITTING INFORMATION

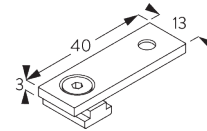
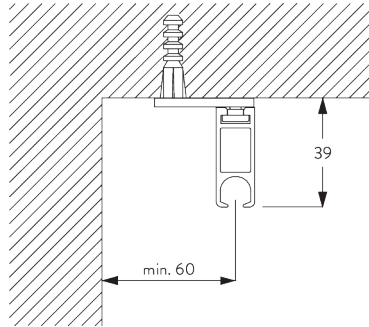
For detailed fitting information, visit the Silent Gliss website.

Fixing points



B. CEILING FITTING

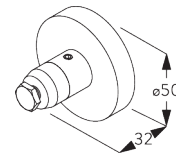
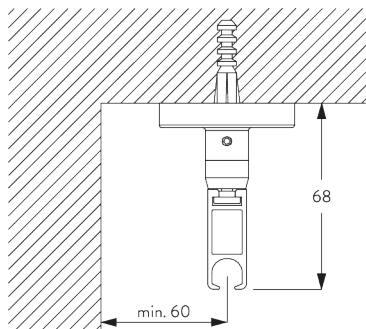
Support SG 6151



SG 6151

Ceiling support set 3 mm

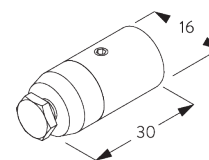
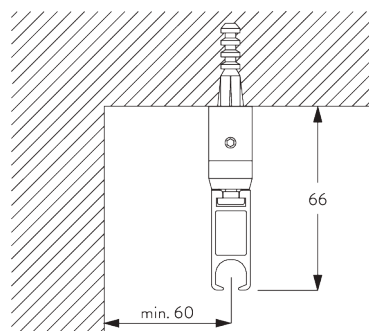
Top fix bracket SG 11668



SG 11668

Top fix bracket

Mini hanger SG 6175

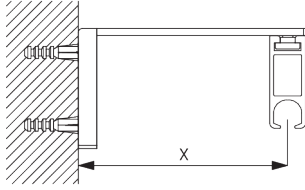


SG 6175

Mini hanger

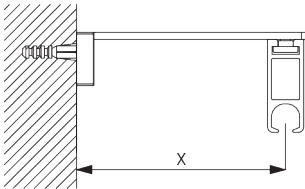
C. WALL FITTING

Smart Fix

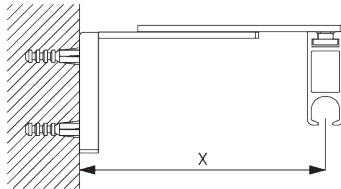


Smart Fix with slot SG 11206 - SG 11208 and SG 6141:
Screw (M4x10) needed.

Smart Fix	X mm
SG 11206 / SG 11216	51
SG 11207 / SG 11217	71
SG 11208 / SG 11218	91
SG 11209 / SG 11472	80-100



Square Smart Fix with slot SG 11216 - SG 11218 and SG 6141:
Screw (M4x10) needed.



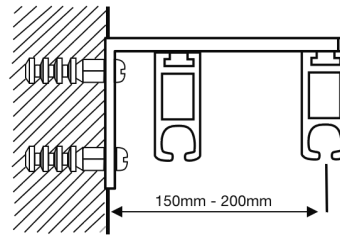
Adjustable Smart Fix SG 11209 and SG 6141:
Screw M4x8) needed.

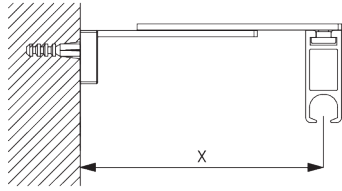
Note: all bent Metropole systems are supplied with adjustable bracket SG 11209 as standard.

D. FITTING DOUBLE TRACKS

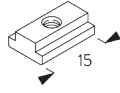
Double brackets available by request.
Please use standard smart fix 150mm or 200mm. Please specify inner drill hole location.

Note: Colours available: White, Matt Black and Silver only

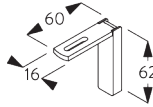




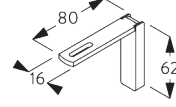
Adjustable Square Smart Fix SG 11472 and SG 6141:
Screw (M4x8) needed.



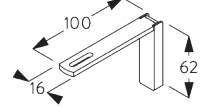
SG 6141
Clamping piece



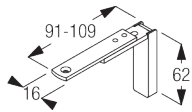
SG 11206
Smart Fix with slot 60 mm



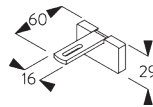
SG 11207
Smart Fix with slot 80 mm



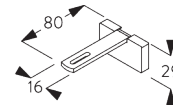
SG 11208
Smart Fix with slot 100 mm



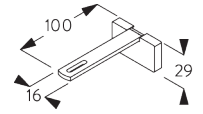
SG 11209
Adjustable Smart Fix



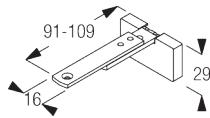
SG 11216
Square Smart Fix with slot 60 mm



SG 11217
Square Smart Fix with slot 80 mm

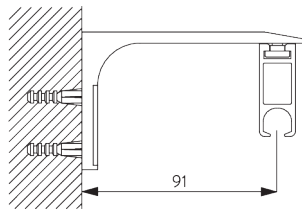


SG 11218
Square Smart Fix with slot 100 mm

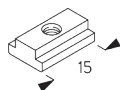


SG 11472
Adjustable Square Smart Fix

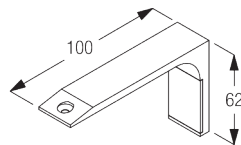
Fillet Bracket SG 11669



Screw (M4x8) needed. Recommended
for straight systems only.

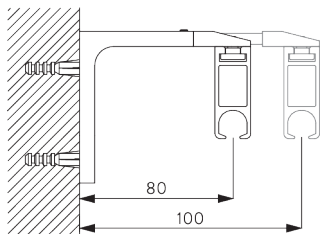


SG 6141
Clamping piece

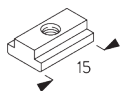


SG 11669
Fillet bracket

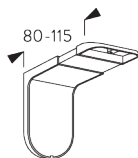
**Maxi adjustable
bracket SG 20334**



Screw (M4x10) needed.



SG 6141
Clamping piece



SG 20334
Maxi adjustable bracket

DESIGN & SYSTEM OPTIONS

A. ENDCAPS



SG 11601

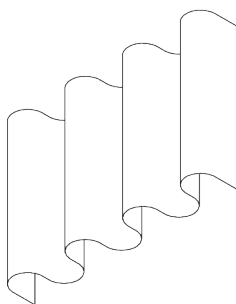


SG 11611

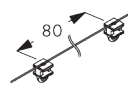
Please note:

- Poles are supplied as standard with flush fitting endcaps SG 11601 (left).
- Alternatively, stud endcaps SG 11611 (right) can be selected at no additional cost.

B. WAVE



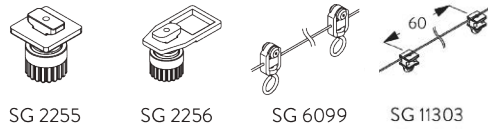
SG 6007



SG 11302

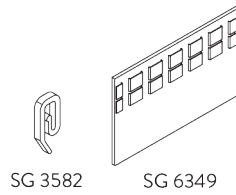
Standard components:

- SG 6007 End stop
- SG 11302 Wave 2C glider cord 80 mm



Optional components (min. Radius >25 cm):

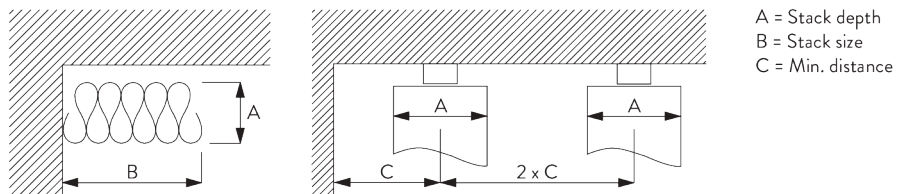
- SG 2255 Brake
- SG 2256 Brake
- SG 6099 Wave roller cord 80 mm
- SG 11303 Wave 2C glider cord 60 mm



Curtain components:

- SG 3582 Hook
- SG 6349 Wave curtain tape

Wave stack depth - 2C glider cord (standard components)




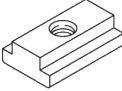
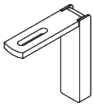

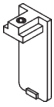
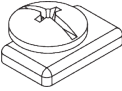
A = Stack depth
B = Stack size
C = Min. distance

2C Glider cord SG 11302	Pockets between hooks	Approx. curtain fullness	Stack depth A	Stack size B*	Min distance C
80	6	~2.1	140	180 per metre of track	90
80	7	~2.3	160	180 per metre of track	100

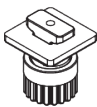
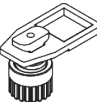

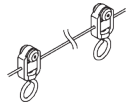
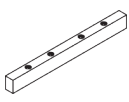
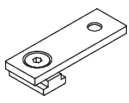
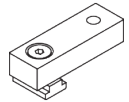
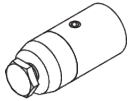



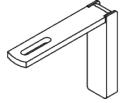
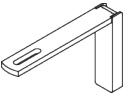
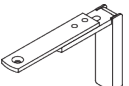
2C Glider cord SG 11303	Pockets between hooks	Approx. curtain fullness	Stack depth A	Stack size B*	Min distance C
60	4	~2.1	100	230 per metre of track	70
60	5	~2.3	120	230 per metre of track	80

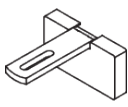
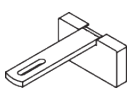
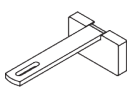

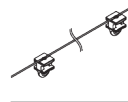
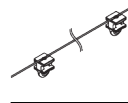
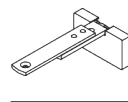
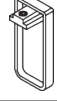

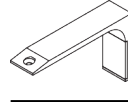
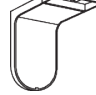
PARTS

A. STANDARD PARTS

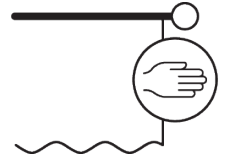
	SG 6101 Profile
	SG 6141 Clamping piece
	SG 11206 Smart Fix with slot 60 mm
	SG 11300 2C glider
	SG 11601 Flush end cap 36 mm
	SG 6007 End stop

B. OPTIONAL PARTS

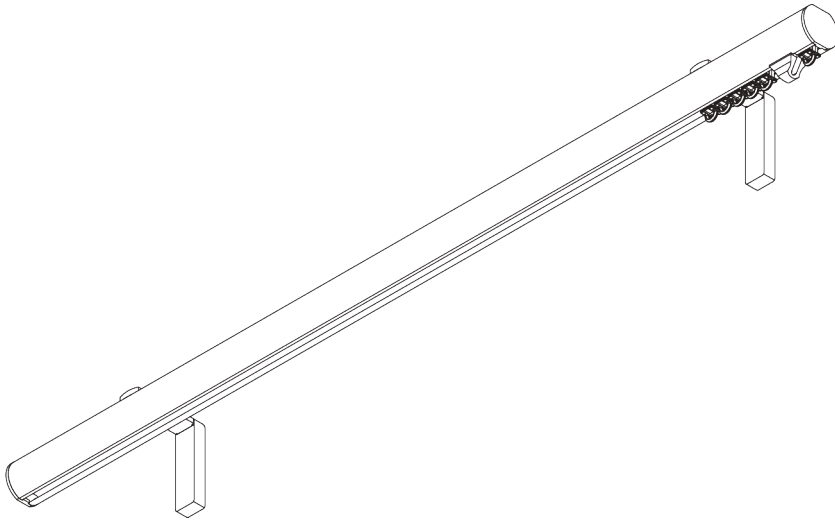
	SG 2255 Brake
	SG 2256 Brake
	SG 3582 Hook
	SG 6099 Wave roller cord 80 mm
	SG 6112 Connection bridge
	SG 6151 Ceiling support set 3 mm
	SG 6152 Ceiling support set 9 mm
	SG 6175 Mini hanger
	SG 6065 End stop
	SG 6283 Roller
	SG 6349 Wave curtain tape
	SG 11207 Smart Fix with slot 80 mm
	SG 11208 Smart Fix with slot 100 mm
	SG 11209 Adjustable Smart Fix

	SG 11216 Square Smart Fix with slot 60 mm
	SG 11217 Square Smart Fix with slot 80 mm
	SG 11218 Square Smart Fix with slot 100 mm
	SG 11301 2C glider on strip
	SG 11302 Wave 2C glider cord 80 mm
	SG 11303 Wave 2C glider cord 60 mm
	SG 11472 Adjustable Square Smart Fix
	SG 11611 Stud end cap 36 mm
	SG 11668 Top fix bracket
	SG 11669 Fillet bracket
POA	
	SG 20334 Maxi adjustable bracket
POA	

SG 7610



Formerly SG6130 Metropole



PRODUCT INFORMATION

- **Operation:** hand
- **Range:** S - M
- **Fitting:** ceiling, wall
- **Colours:** white RAL 9016, various colours / finishes
- **Fabrics:** refer to Silent Gliss fabric collection

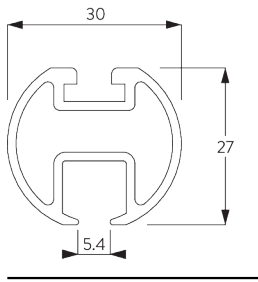
Features:

- 2-component (2C) glider technology
- Wave (2C)
- Matching endcaps and brackets / bracket covers
- Range of decorative finials
- Bendable

SYSTEM SPECIFICATIONS

A. PROFILE

Profile and bending information

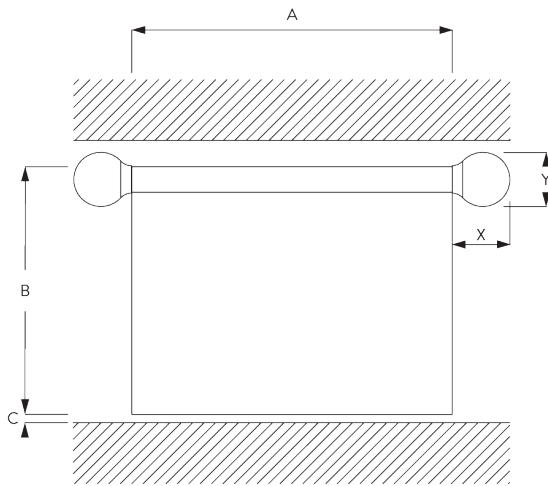


SG 6103

Profile



B. HOW TO MEASURE



A: System width without finials

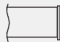
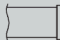

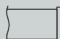

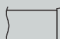

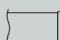

B: System height

C: Distance between floor and fabric

X: Finial width

Y: Finial height

Finial Measurements

		30 mm	
		X	Y
	SG 11603	2	30
	SG 11631	10	34
	SG 11632	18	50
	SG 11743	69	30
	SG 11744	66	50
	SG 11746	64	60
	SG 11747	116	48
	SG 11748	26	90
	SG 11749	20	60

C. SPECIFICATION

TEXT

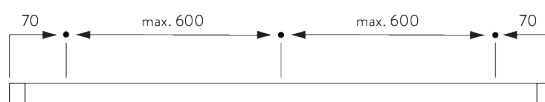
Silent Gliss SG 7610 'Metropole' hand operated curtain track system. Comprises 30 mm aluminium profile SG 6103 supplied made to measure with 2C gliders SG 11300 at 16/m, 2 no. flush end covers SG 11603 and 2 no. end stops SG 6007. Straight poles supplied as standard with wall 'face' fix Smart Fix brackets SG 11206 at max. 600 mm centres. Optional wall fix brackets SG 11207-11208 / SG 11216-11218 / SG 11209 / SG 11472 / Fillet bracket SG 11669. Bent systems for wall 'face' fix supplied as standard with adjustable Smart Fix bracket SG 11209. Ceiling 'top' fix with plate SG 6151 / bracket SG 6175 / SG 11668 at max. 600 mm centres. Finished in Bronze, Gunmetal, Black, Matt White, White or Anodised Silver. A range of decorative finials are available. Silent Gliss Wave option is available using 60mm glider cord SG 11303 / 80 mm glider cord SG 11302 / 80 mm roller glider cord SG 6099.

FITTING

A. FITTING INFORMATION

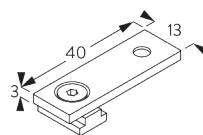
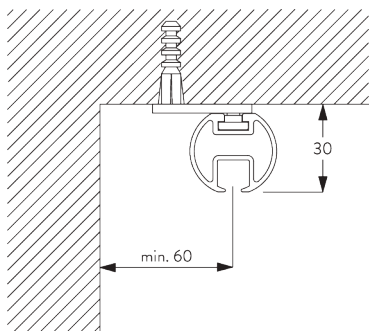
Fixing points

For detailed fitting information, visit the [Silent Gliss website](#).



B. CEILING FITTING

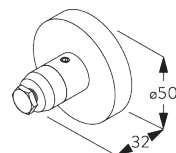
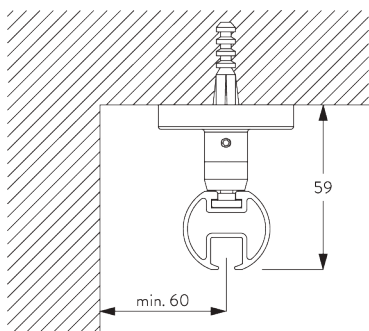
Support SG 6151



SG 6151

Ceiling support set 3 mm

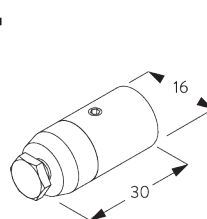
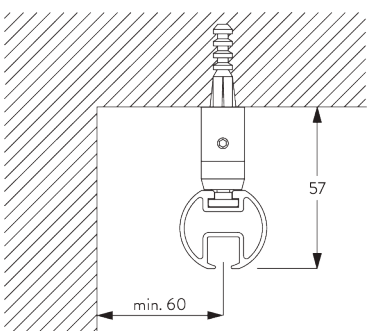
Top fix bracket SG 11668



SG 11668

Top fix bracket

Mini hanger SG 6175

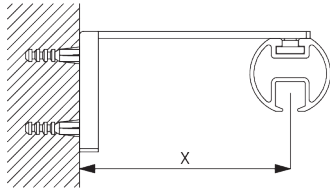


SG 6175

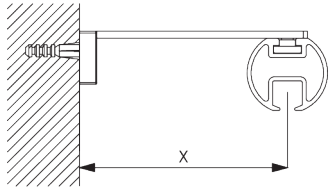
Mini hanger

C. WALL FITTING

Smart Fix

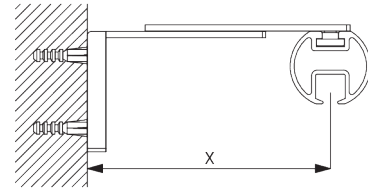


Smart Fix with slot SG 11206 - SG 11208 and SG 6141:
Screw (M4x10) needed.



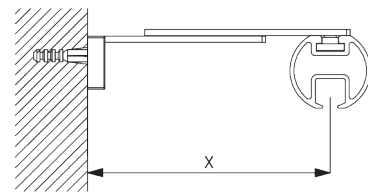
Square Smart Fix with slot SG 11216 - SG 11218 and SG 6141:
Screw (M4x10) needed.

Smart Fix	X mm
SG 11206 / SG 11216	51
SG 11207 / SG 11217	71
SG 11208 / SG 11218	91
SG 11209 / SG 11472	80-100

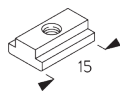


Adjustable Smart Fix SG 11209 and SG 6141:
Screw (M4x8) needed.

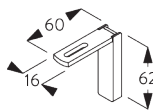
Note: all bent Metropole systems are supplied with adjustable bracket SG 11209 as standard.



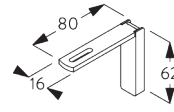
Adjustable Square Smart Fix SG 11472 and SG 6141:
Screw (M4x8) needed.



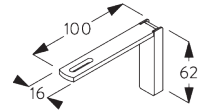
SG 6141
Clamping piece



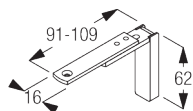
SG 11206
Smart Fix with slot 60 mm



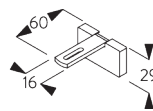
SG 11207
Smart Fix with slot 80 mm



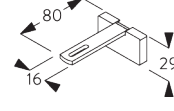
SG 11208
Smart Fix with slot 100 mm



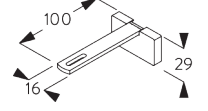
SG 11209
Adjustable Smart Fix



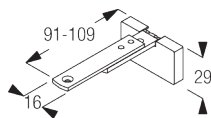
SG 11216
Square Smart Fix with slot 60 mm



SG 11217
Square Smart Fix with slot 80 mm



SG 11218
Square Smart Fix with slot 100 mm

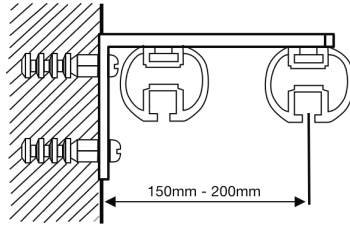


SG 11472
Adjustable Square Smart Fix

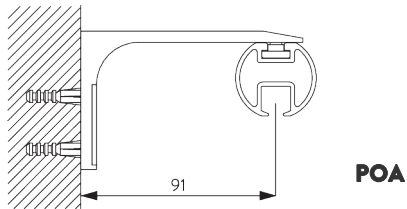
D. FITTING DOUBLE TRACKS

Double brackets available by request.
 Please use standard smart fix 150mm or 200mm. Please specify inner drill hole location.

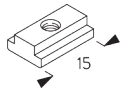
Note: Colours available: White, Matt Black and Silver only



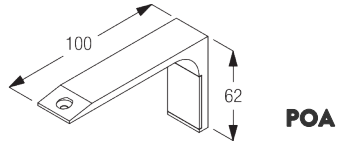
**Fillet Bracket
 SG 11669**



Screw (M4x8) needed. Recommended for straight systems only.

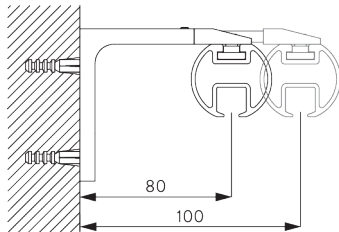


SG 6141
 Clamping piece

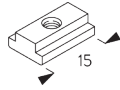


SG 11669
 Fillet bracket

**Maxi adjustable
 bracket SG 20334**

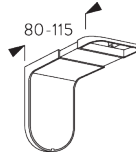


Screw (M4x10) needed.



SG 6141

Clamping piece



SG 20334

Maxi adjustable bracket

DESIGN & SYSTEM OPTIONS

A. ENDCAPS



SG 11603



SG 11631



SG 11632

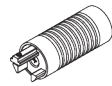
Endcaps:

- SG 11603 Flush endcap 30 mm
- SG 11631 Stud endcap 30 mm
- SG 11632 Design endcap 30 mm

Please note:

- Without finials, poles are supplied as standard with flush fitting endcaps SG 11603 (left).
- Alternatively, stud endcaps SG 11631 can be selected at no additional cost.

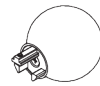
B. FINIALS



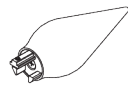
SG 11743



SG 11744



SG 11746



SG 11747



SG 11748

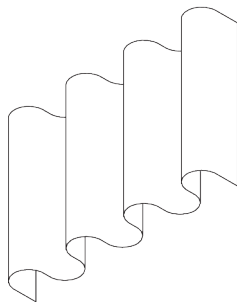


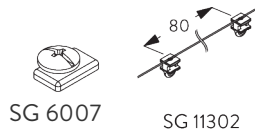
SG 11749

Finials are decorative elements that fit on at the end of the pole:

- SG 11743 Groove cylinder 30 mm
- SG 11744 Glass ball 30 mm
- SG 11746 Ball end 30 mm
- SG 11747 Spear 30 mm
- SG 11748 Ellipse 30 mm
- SG 11749 Taper 30 mm

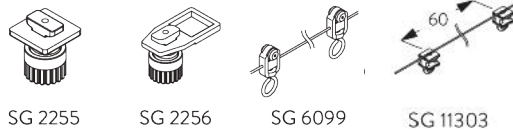
C. WAVE





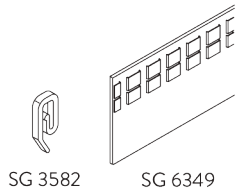
Standard components:

- SG 6007 End stop
- SG 11302 Wave 2C glider cord 80 mm



Optional components:

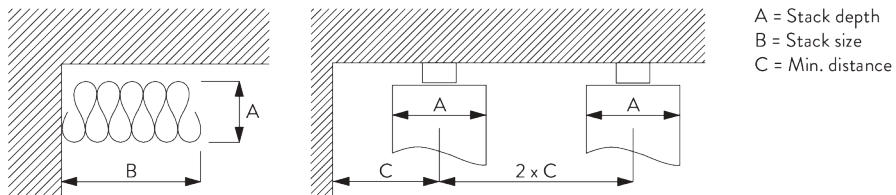
- SG 2255 Brake
- SG 2256 Brake
- SG 6099 Wave roller cord 80 mm
- SG 11303 Wave 2C glider cord 60 mm



Curtain components:

- SG 3582 Hook
- SG 6349 Wave curtain tape

Wave stack depth - 2C glider cord (standard components)



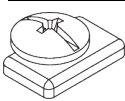

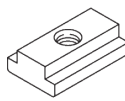
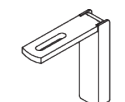
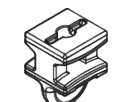

A = Stack depth
B = Stack size
C = Min. distance

2C Glider cord SG 11302	Pockets between hooks	Approx. curtain fullness	Stack depth A	Stack size B*	Min distance C
80	6	~2.1	140	180 per metre of track	90
80	7	~2.3	160	180 per metre of track	100

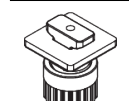
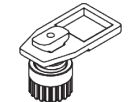
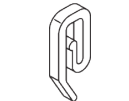
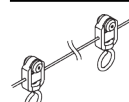
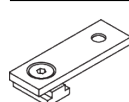
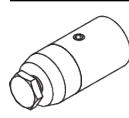
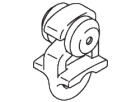

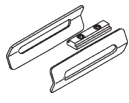
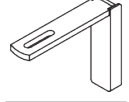
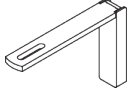
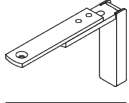
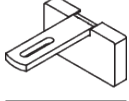
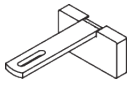
2C Glider cord SG 11303	Pockets between hooks	Approx. curtain fullness	Stack depth A	Stack size B*	Min distance C
60	4	~2.1	100	230 per metre of track	70
60	5	~2.3	120	230 per metre of track	80

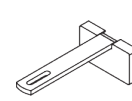


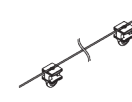
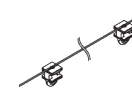
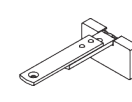

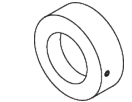
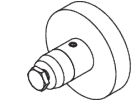
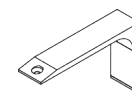
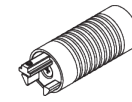
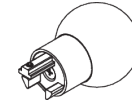
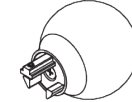
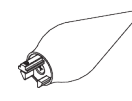
PARTS

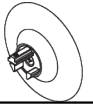
A. STANDARD PARTS

	SG 6007 End stop
	SG 6103 Profile
	SG 6141 Clamping piece
	SG 11206 Smart Fix with slot 60 mm
	SG 11300 2C glider
	SG 11603 Flush end cap 30 mm

B. OPTIONAL PARTS

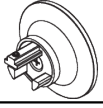
	SG 2255 Brake
	SG 2256 Brake
	SG 3582 Hook
	SG 6099 Wave roller cord 80 mm
	SG 6151 Ceiling support set 3 mm
	SG 6175 Mini hanger
	SG 6283 Roller
	SG 6349 Wave curtain tape
	SG 6635 Connection bridge set
	SG 11207 Smart Fix with slot 80 mm
	SG 11208 Smart Fix with slot 100 mm
	SG 11209 Adjustable Smart Fix
	SG 11216 Square Smart Fix with slot 60 mm
	SG 11217 Square Smart Fix with slot 80 mm

	SG 11218 Square Smart Fix with slot 100 mm
	SG 6065 End stop
	SG 11301 2C glider on strip
	SG 11302 Wave 2C glider cord 80 mm
	SG 11303 Wave 2C glider cord 60 mm
	SG 11472 Adjustable Square Smart Fix
	SG 11631 Stud end cap 30 mm
	SG 11632 Design end cap 30 mm
	SG 11668 Top fix bracket
	SG 11669 Fillet bracket Indent (POA)
	SG 11743 Groove cylinder 30 mm
	SG 11744 Glass ball 30 mm
	SG 11746 Ball end 30 mm
	SG 11747 Spear 30 mm



SG 11748

Ellipse 30 mm



SG 11749

Taper 30 mm



SG 20334

Maxi adjustable bracket

Indent (POA)

Standard Flush End Cap



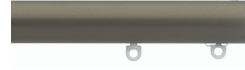
Matt White



Matt Black



Gun Metal



Bronze



Silver

Stud End Cap



Matt White



Matt Black



Gunmetal



Bronze



Silver

Taper **NEW**



Matt White



Matt Black



Gunmetal



Bronze

Design End Cap



Matt White



Matt Black



Gunmetal



Bronze

Ball End **REDESIGNED**



Matt White



Matt Black



Gunmetal



Bronze

Ellipse **NEW**



Matt White



Matt Black



Gunmetal



Bronze

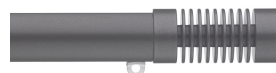
Groove Cylinder **REDESIGNED**



Matt White



Matt Black



Gunmetal



Bronze

Spear **REDESIGNED**



Matt White



Matt Black



Gunmetal



Bronze

Glass Ball Transparent **REDESIGNED**



Matt White



Matt Black



Gunmetal



Bronze

The Architects of Silence

Silent Gliss is the leading global supplier of premium interior window treatments. Since 1952 we have been tirelessly committed to the development of the world's smoothest, quietest systems using state of the art technology.

Driven by customer needs, Silent Gliss offers functional and durable products. Expert technical advice coupled with installation and support services complete the offer. Silent Gliss stands for innovative, sustainable, tailor made solutions, exceptional design and first-class quality.